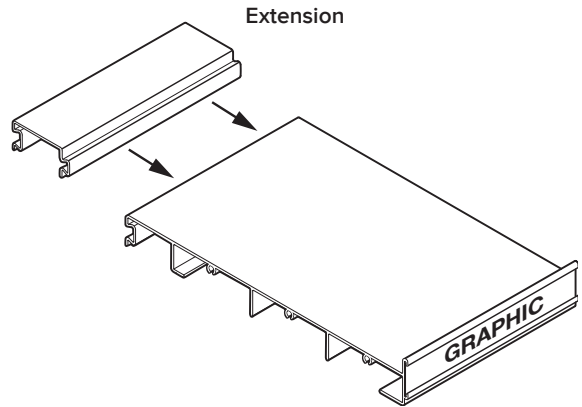
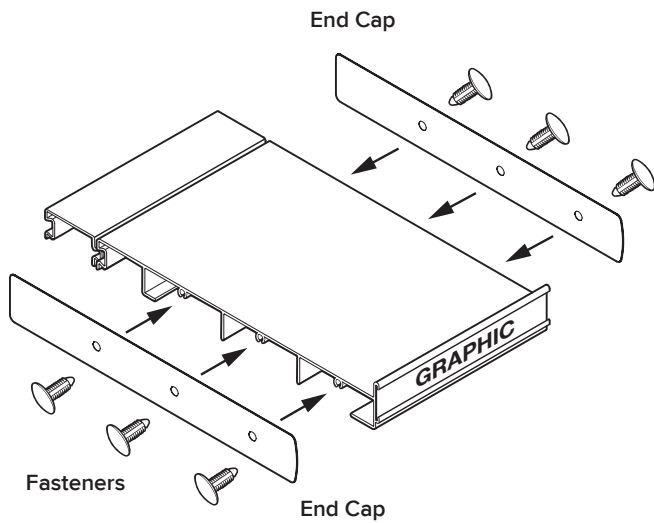


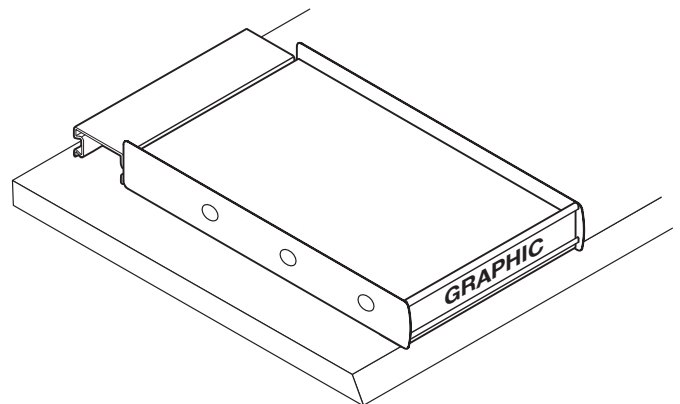
① Insert graphic into c-channel.



② **OPTIONAL**
If using extension(s), slide or snap it/them into back of the riser.



③ Insert fasteners into holes and attach end caps to sides of riser.



④ Place assembled riser on shelf.
Installation is complete.

20190311